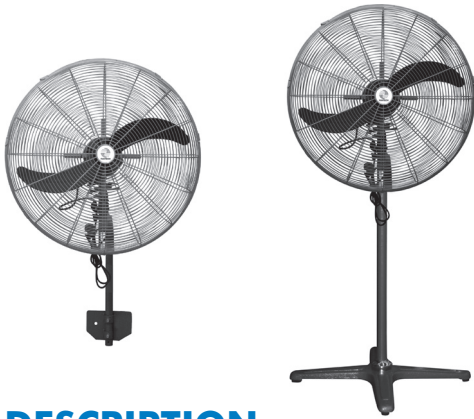


PEDESTAL STAND & WALL MOUNTED FANS



DESCRIPTION

The Fantech range of robust Pedestal Fans are available in stand or wall mounted configurations and feature a powerful 3-speed motor. They are designed to increase comfort and lift productivity by providing relief to people working in hot locations through the effect of air movement.

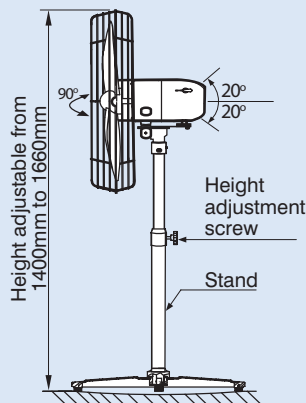
Features

- Robust, durable construction.
- Height of the stand mounted unit is adjustable from 1400mm to 1660mm.
- 90° oscillating head with 20° up and down tilt.
- Finished in a durable grey coloured paint.
- Wall mounted unit comes with easy to fit wall mounting kit.
- 3 operating speeds to suit specific cooling needs.
- Fans are supplied in kit form ready for easy assembly.
- Finger guards comply with Australian standards.

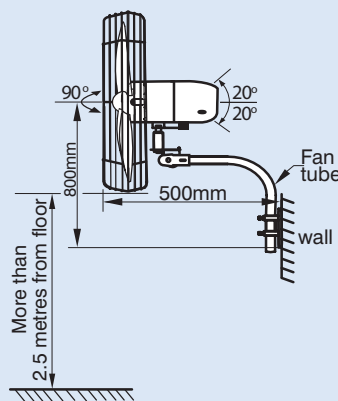
Typical Applications

Designed to provide relief in many locations such as marquees, club rooms, gymnasiums, workshops, milking sheds and warehouses.

DIMENSIONS



Stand Mounted: PSET634-03SP
Weight: 20.5kg



Wall Mounted: PWET634-03SP:
Weight: 13.5kg
Dimensions in mm

Construction

Stand mounted unit fitted with heavy cast iron base.
Wall mounted unit comes with a heavy duty wall bracket and tube.
Impellers are of aluminium and fully balanced.
Wire finger guards are grey painted mesh.
All steel components have a corrosion resistant finish.

Motors

Type - squirrel cage induction motor
Electricity supply - 220-240V, single-phase, 50Hz
Bearings - sealed-for-life, ball
3-speed motor with switch

Internal thermal Protection

Auto-reset type fitted as standard

SUGGESTED SPECIFICATION

The cooling fans shall be of the Pedestal type, suitable for stand or wall mounting as nominated and be supplied by Fantech Pty Ltd.

They shall be of the model numbers shown on the schedule/drawings.

Impellers shall be manufactured from aluminium and shall operate in 3 speeds which are controlled by a switch that includes an off position. Wire finger guards shall be of grey painted mesh.

TECHNICAL DATA

Model Numbers: -
Stand Mounted: PSET634-03SP
Wall Mounted: PWET634-03SP

Speed Setting	Fan Speed rev/sec	Air Flow m ³ /sec	Avg dB(A) @ 5m	Single-phase Watts	Amps
High	23	3.4	69	230	0.90
Mid	21	3.1	60	175	0.80
Low	20	2.8	56	135	0.70

HOW TO ORDER

Select the model that meets your requirement and order by model number.



Scan the QR code to view more information online.

Floor Mounted



Wall Mounted



MISTING KITS

The misting kit produces an ultra-fine mist that provides additional cooling effect through evaporation. They are designed to easily fit to the front grille of most fans and work on normal house mains water pressure.

Combined with an air circulating fan, a misting kit provides rapid cooling to work areas and outdoor recreation facilities. It also helps to reduce the dangers of fatigue in the work place and improves productivity in hot conditions.

- Available in 3, 5 and 7 nozzle kits
- High quality brass nozzle with long wearing stainless steel orifice and pin
- 19mm hose adaptor fitted with a low maintenance stainless steel filter
- Maximum working pressure 125psi

Codes:

FMK3 - 3 nozzle misting kit
FMK5 - 5 nozzle misting kit
FMK7 - 7 nozzle misting kit

How to order

FMK - Fantech Misting Kit 3, 5, 7 - Number of misting nozzles

